

Slow Scan TV

is fun

and easy to do.



I'll show you how easy it is.

- * There is no RF at all,
it is all done with audio.
- * Use your PC to do all the work.

Why would you try SSTV?



- * To show off of course.
We hams like to “HAM” it up.
- * It is also nice to SEE who you are talking to.

Here is what you might see on SSTV.

- friends & family,



These are real
SSTV pictures.

Here is what you might see on SSTV.

- that new car,



Here is what you might see on SSTV.

- that new house,



Here is what you might see on SSTV.

- that new rig,



Here is what you might see on SSTV.

- your pets,



Here is what you might see on SSTV.

- other hobbies,



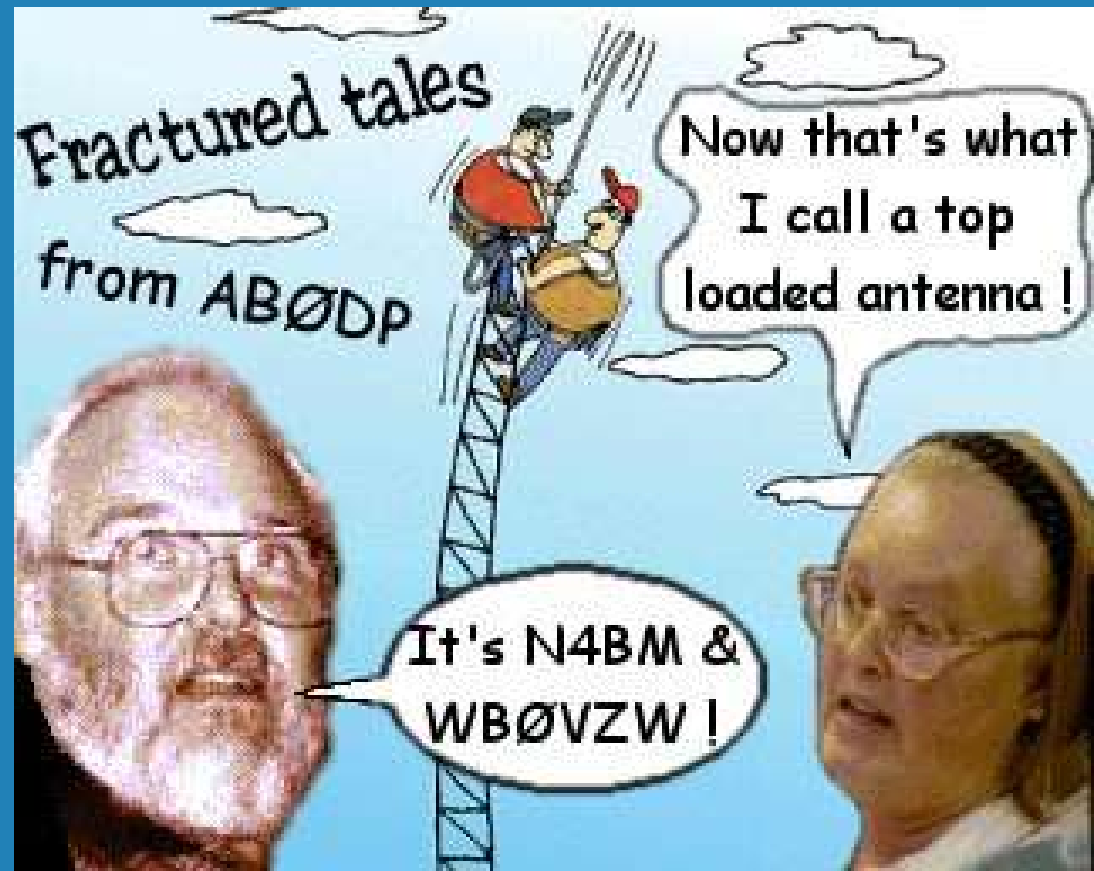
Here is what you might see on SSTV.

- I like Cartoons,



Here is what you might see on SSTV.

- or, just embarrass your friends.



What do you need - to send & receive SSTV ?

- * An amateur radio license
(Not required to receive only).
- * Your radio
- * A PC (or Mac)
- * A hardware interface
- * Software



If you have most of that, but need an interface . . .

- * You can build your own or buy it.
- * To buy one, try these:
 - RIGblaster - West Mountain Radio
 - MFJ-1275 - MFJ
 - Signalink - TigerTronics
 - Rascal - BUX CommCo

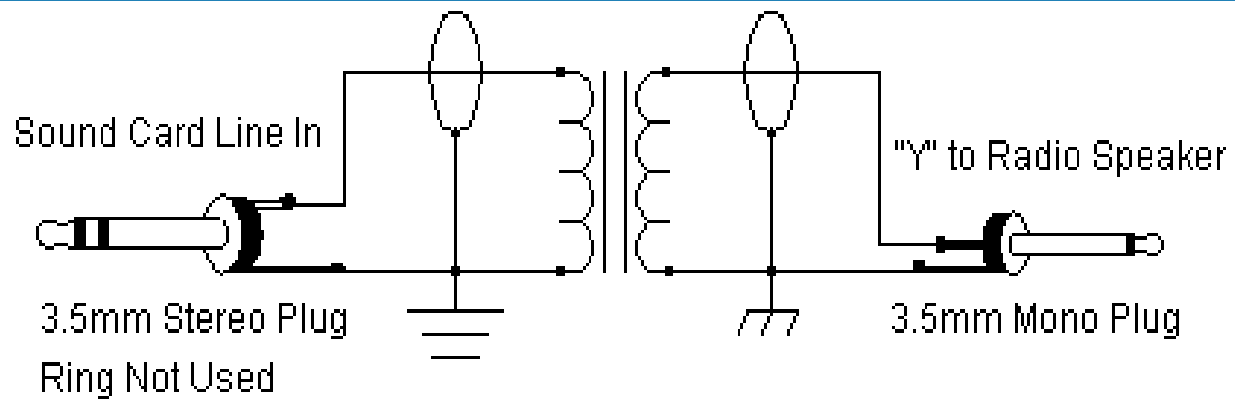
Then just plug it in.

- * If you are a builder, try this:

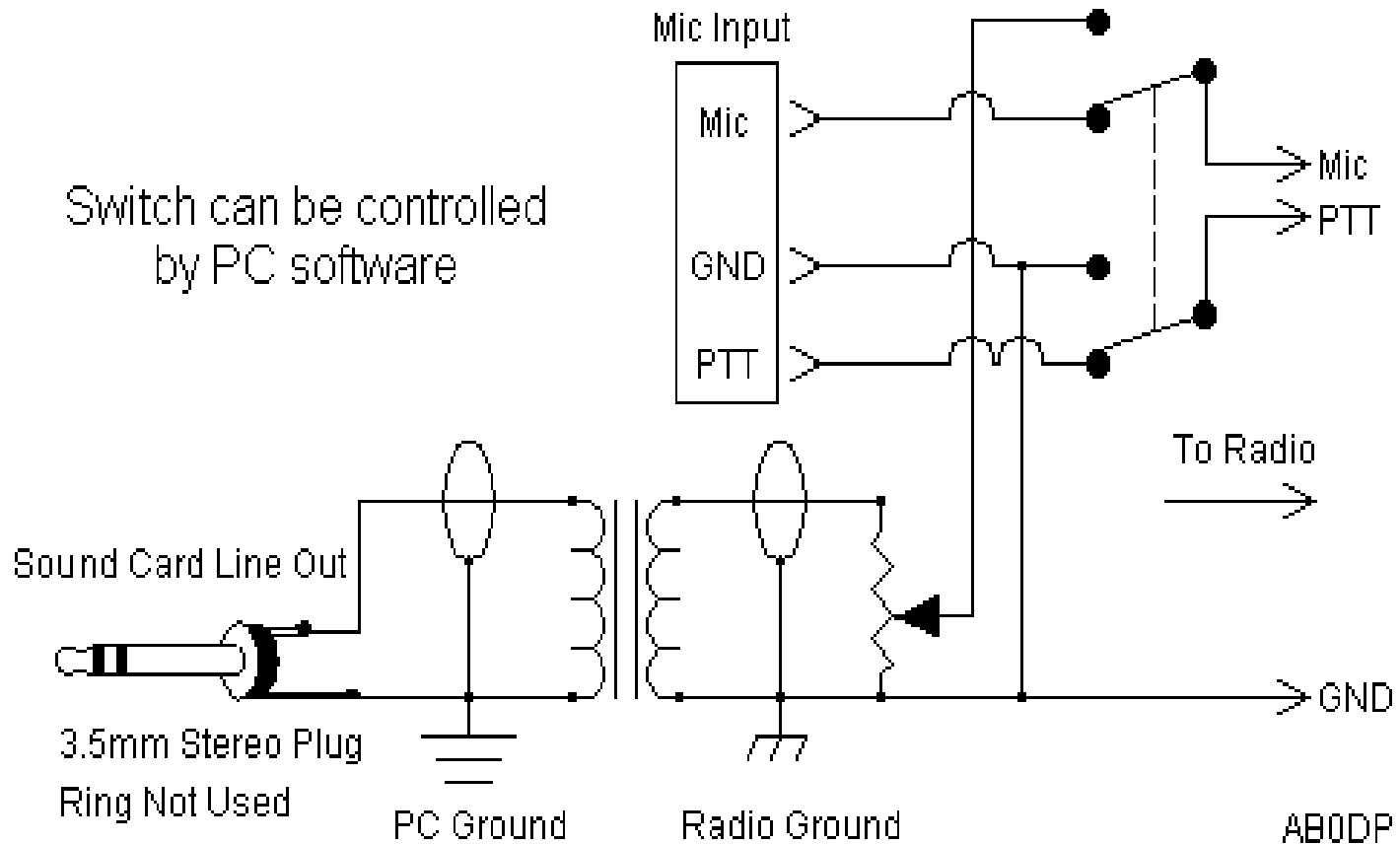
Roll Your Own:


✦ Just one example:

See, it is very simple !



Switch can be controlled by PC software





Now that you have Hardware, you need Software.

- * Each program is a little different.
 - Chroma Pix - Silicon Pixels
 - MMSSTV - MM Hamsoft
 - SSTV for Linux - ON1MH
 - & many others for PC (and MAC)



Choose your Software, then:

- * Download your choice.
- * Install it following the manufactures recommendations.
- * You're almost done:

Set up the software



- * Try receiving your first picture.
- * Correct RX slant (varies with program).
- * Ask to send your first picture.
- * Correct your TX slant (also varies).
- * You're in business!

Finding others

Nationally most operating is done on
14.230 MHz +/- 3 KHz.

There are also active simplex repeaters
near 28.690 MHz.

Other frequencies in use are on these
bands: 160, 75, 40, 17, 15, 6 meters
and on 145.500 MHz.

Finding others

In my area (South Central Kansas), we are lucky to have organized NETS on 2 meter repeaters. (TNX to N4BM)

- * Saturdays 9:00 PM on 146.820
- * Sundays 2:30 PM on 146.715
- * Sundays 3:30 PM on 146.820

Operating practices

(In My Humble Opinion)

- ✧ ID by voice before and after your picture.
 - CW ID's are nice and legal, but they distract from your comments. Turn off the CW - ID.

- ✧ Be careful of your content.
 - You wouldn't send your pastor a belly-gram would you?

- ✧ Every picture is a work of art to someone.

Get Help

- ✧ Nearly everyone new to SSTV has a problem or two.
 - They are normally only a minor irritation.
 - Some one else with the same software can save you lots of aggravation.

Get Help

- * Because we were all new to SSTV once, we know some of the pitfalls and are eager to help you.
- * So don't be bashful if you need help.
- * Try my web site - fmsstv.net - or look for other sites on the web.

Anything else?

* Sure!

- Try other modes.

The same Hardware works for them too.

– PSK-31

– Amtor

– RTTY

– MT63

– CW !

– Packet

– Packtor

– and others

Credits

Copyright 2002

Guy Clark

ABØDP

all rights reserved.

With help from N4BM, Bob Mc Hugh